

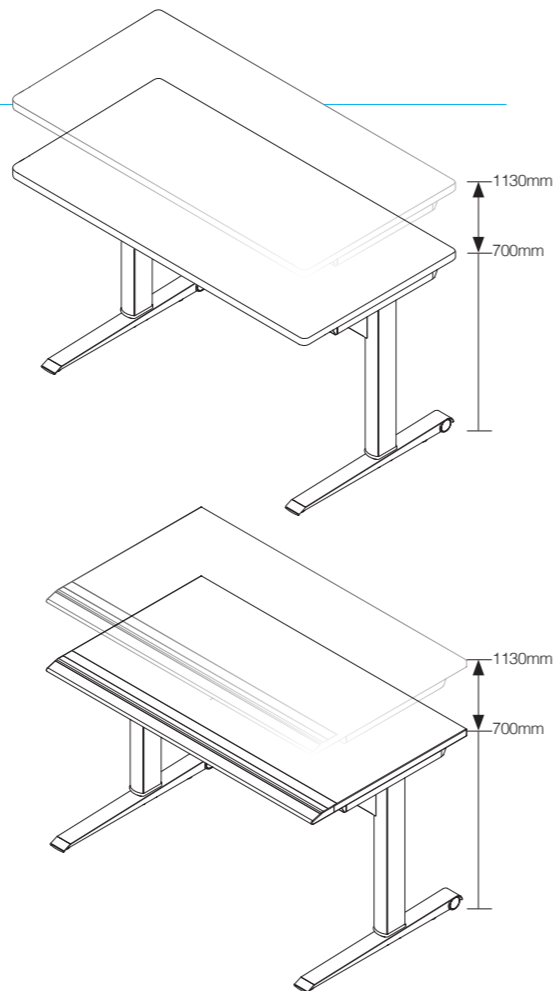
## AIRO - Height Adjustable Desk

### Taking height adjustable desk to a new level

The AIRO height adjustable desk has a unique patented lift design that does not require any electric power or manual crank handle. Simply press the lift handle and quickly raise or lower the desk to your desired sit/stand height. No power point – not a problem now you can situate your desk wherever you want in the room and as many as you require. Ideal for classrooms, workstations or personal office.

- Stylish and efficient, safe and versatile
- Unique patented lift mechanism
- AIR1200 features a unique silver aluminium 'shark nose' profile on the desktop front edge.
- No messy cables or power point required
- No slow crank handles or electric motors
- Height adjustable from 700 x 1130mm

Code	Description	Size (mm)	Adjustment (mm)
AIR1200	AIRO 1200mm Desk with White top & aluminium shark nose front	1160 x 700	700 - 1130
AIR015	AIRO 1500mm mechanism, no top	1471 x 700	700 - 1130
AIR018	AIRO 1800mm mechanism, no top	1771 x 700	700 - 1130
<b>TOPS</b>			
TAB150	AIRO - White melamine top, edge band & rounded corners	1500 x 700 x 23	
TAB180	AIRO - White melamine top, edge band & rounded corners	1800 x 800 x 23	



## Breakroom Table - Height Adjustable

Highly versatile and stylish table with all the health benefits of height adjustment from sitting to standing positions.

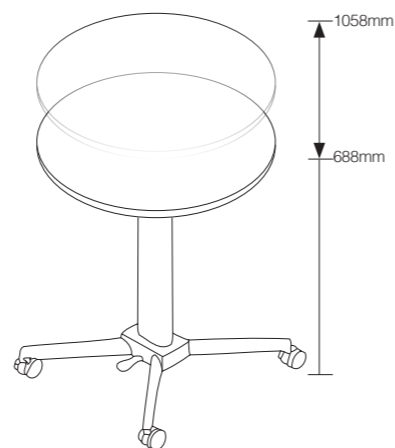
Unique pneumatic gas lift operation with foot release pedal tested to over 10,000 cycles.

Provides excellent stability and sturdy platform. Use it as a meeting table during the day and as a drinks table in evening.

Great to socialise with work colleagues and quick informal stand up meetings

- Table Top 800mm in 18mm white melamine
- Height adjustable from 688 – 1058mm
- 40mm lockable castors and powder coated ivory steel stand

Code	Description	Adjustment (mm)
BRT800	Breakroom meeting table - height adjustable	688 - 1058
BRT200	Height Adjustable mechanism (No table top)	670 - 1040



## Tablet Desk / Lectern - Height Adjustable

Two tables in one and height adjustable Tablet Desk and Lectern.

Unique pneumatic gas lift operation with foot release pedal tested to over 10,000 cycles.

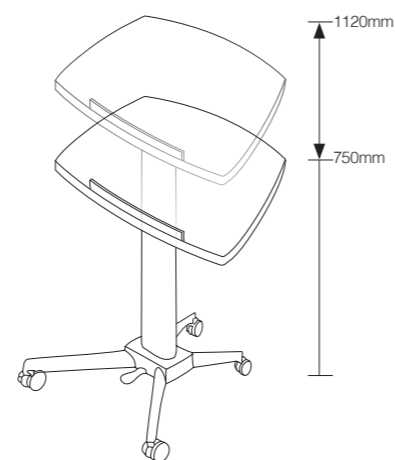
Table top can be tilted to various angle to provide a lectern that can be easily raise or lowered.

With table top flat it provides a perfect small desk for exams, note taking, registration desk or even for eating a meal in front of the TV!

Perfect for schools, educational facilities, conferences meeting rooms and functions

- NEW ! design with easy lift capacity
- Table Top section is 650 x 400mm
- Height adjustable from 750-1120mm
- Powder coated satin silver steel stand with 40mm lockable castors

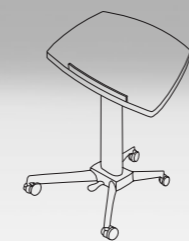
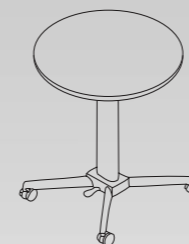
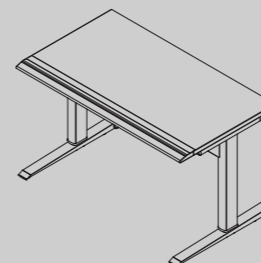
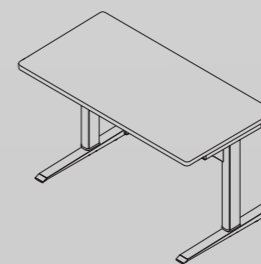
Code	Description	Adjustment (mm)
BRL100	Tablet Desk / Lectern - height adjustable 650 W x 400 D x 750-1120 H	750 - 1120



## Height Adjustable Desks and Tables

# Airo

## Pneumatic Air Lift



International Design Patent



## AIRO Height Adjustable Desks and Tables

### NEW Technology Lifter - Not Electric - Not Crank

Airo Desk just glides up and down with just the touch of your hand.

- *Faster than an electric desk*
- *Easier than a manual desk*

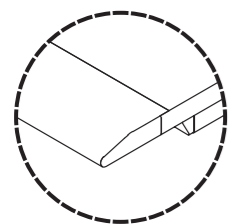
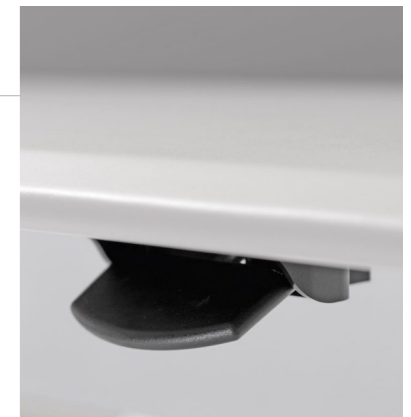
This unique global patented design utilises dual pneumatic air lifters that effortlessly raise the desk up to standing height by the use of a single quick release grip handle.

### SUPER QUICK, SUPER QUIET AND WITHOUT EFFORT

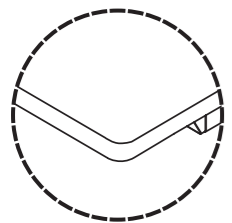
To lower the desk, simply use the quick release handle and lower the desk to the desired level just as fast and easy.

### NO WAITING, NO CRANKING

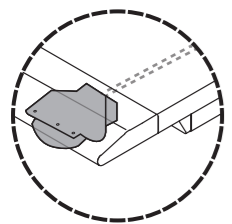
The internal patented mechanism ensures that the lifters remain perfectly level and consistent smooth travel up and down every time.



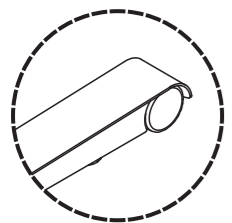
Aluminium Shark Nose Edge:  
1200mm Desk Top.



Radius ABS Edging:  
1500mm & 1800mm Desk Top



Quick Release Grip Handle:  
Mounted LHS or RHS under desktop



T-Leg Feet:  
With rear wheel mobility roller

