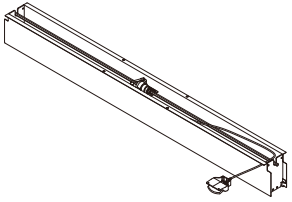
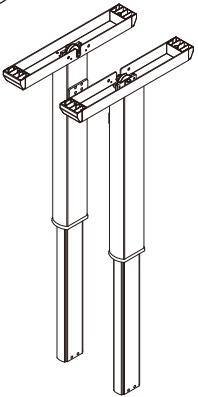


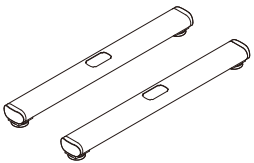
1 x1



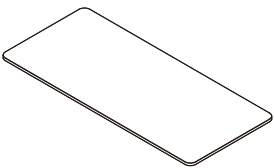
2 x2



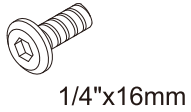
3 x2



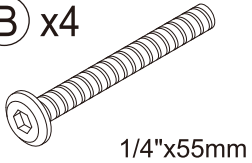
4 x1



A x12



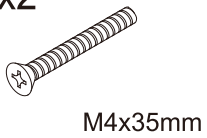
B x4



C x2



D x2



E x8



F x16 for each



G x8 for each

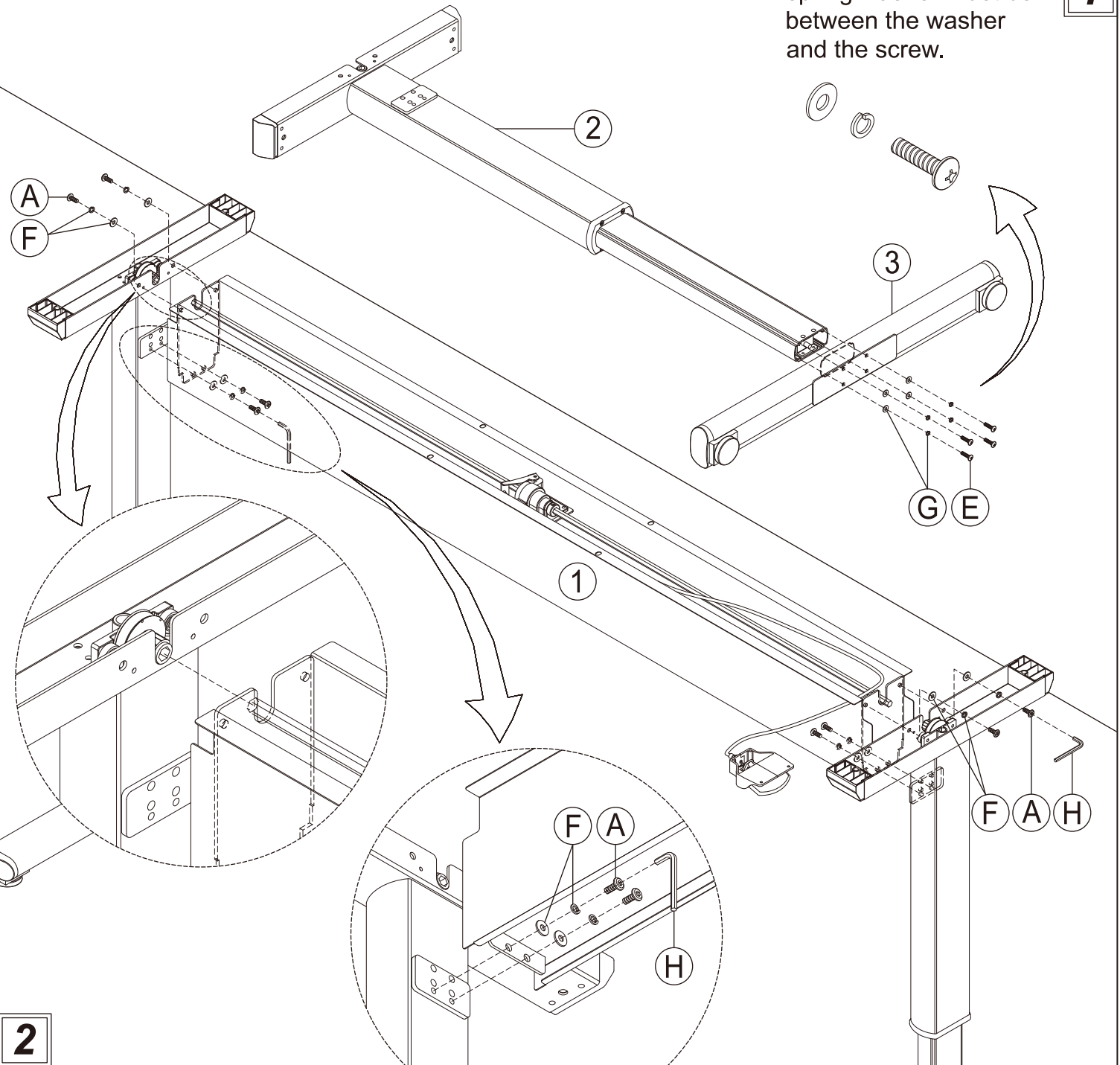


H x1



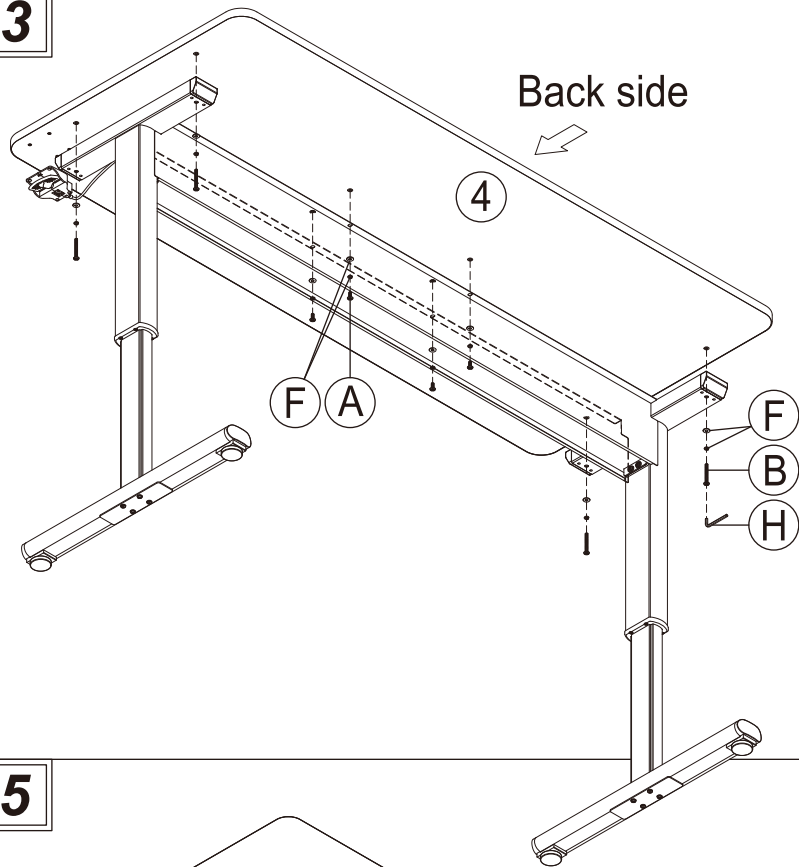
spring washer must be be between the washer and the screw.

1

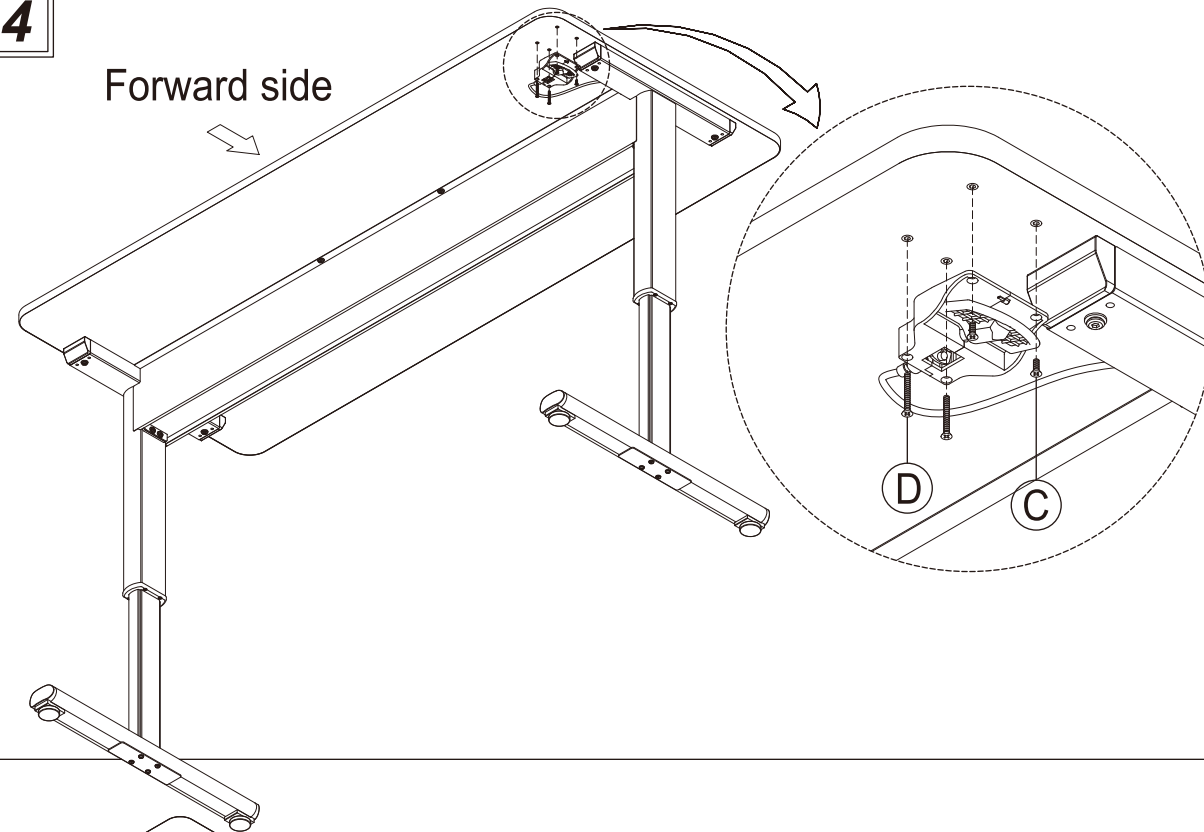


2

3



4



5

